



扫描二维码
关注森赫电梯门户网站



扫描二维码
关注森赫电梯官方微信

森赫电梯股份有限公司 Sicher Elevator Co.,Ltd.

地址: 中国·浙江省湖州市练市工业园区森赫大道1号 邮编(P.C): 313013
Add: NO.1 Sicher Road, Lianshi Industrial Park, Huzhou City, Zhejiang, China
电话(Tel): +86-572-3787198 400-887-5898
传真(Fax): +86-572-3787199 Http: //www.sicher-elevator.com
E-mail: sicher@sicher-elevator.com(国内) srh@sicher-elevator.com(International)

本书为一般信息类出版物, 我们保留随时更改产品设计和说明的权利。
本书的任何字句, 无论其字面意思或含义, 对于任何产品及该产品的用途和质量, 或者任何购销合同条款的表述与更改均不承担任何责任。
由于印刷工艺的限制, 实际加工的颜色可能与本册略有不同之处, 最终造型可根据实际材料和色样决定。
2016年5月份印刷

SRH

SAFE REACH



GRE

Escalator

自动扶梯

GRM

Moving walk

自动人行道

森赫电梯股份有限公司 Sicher Elevator Co.,Ltd.



多一套 方案
One more case



多一份 承诺
One more promise



多一环 工序
One more procedure



多一轮 检测
One more inspection



多一份 守候
One more expectation

森赫电梯, 只为安全到达
Sicher elevator, only for safe reach

森赫电梯股份有限公司

森赫电梯股份有限公司是通过投资、并购，完成股份制改制组建而成的专业化、集团化的跨国经营企业。

公司占地面积147600平方米，建筑面积170000平方米，拥有产品制造中心、研发设计中心、客户服务中心、电梯运行速度可达10.0m/s的试验塔，是面向全球市场的电梯、自动扶梯及立体停车设备的大型制造企业。

森赫电梯境外全资子公司SRH Aufzüge GmbH（德国森赫电梯有限公司）与德国大、中型电梯制造公司及电梯部件公司形成战略合作联盟，为全球客户提供符合欧盟标准的**SRH**森赫品牌产品。

SRH森赫，源于德语Sicher，意为安全、可靠，在产品研发、制造、销售、安装与服务的全过程中，一以贯之地体现着“只为安全到达”的品牌核心价值。

公司实施科技创新发展战略，先后成立省级企业研究院、院士专家工作站、博士后科研工作站、省级企业技术中心、省级工业设计中心、省级高新技术企业研究开发中心、森赫电梯中心实验室、中国建筑科学研究院森赫电梯技术研发中心、浙江省森赫电梯科技研究院等创新平台，拥有86项专利成果，获得了全国机械工业先进集体；质量管理通过国家军用标准认证，电梯产品荣获美国“电梯世界工程奖”，扶梯产品荣获“大世界基尼斯之最”。

公司产品出口40多个国家和地区，拥有完善的国内、国际服务网络；与众多知名房地产开发企业建立了长期的战略合作伙伴关系，获得了全国政府采购优秀供应商；成为在俄罗斯、乌兹别克斯坦、土耳其、阿联酋、阿曼、科威特、伊朗、印度、孟加拉国、柬埔寨、南非、埃及、坦桑尼亚、巴西、厄瓜多尔等国家和地区备受尊敬的电梯品牌。

森赫电梯，坚持“国际化、科技化、产业化”的发展战略，以“服务创新、科技创新、理念创新”为核心，实现制造智能化、服务产业化和品牌国际化的全新价值生态，成为世界卓越的电梯解决方案服务商。

Sicher Elevator Co.,Ltd.

Sicher Elevator Co., Ltd. is a specialized, collectivized transnational operation enterprise through investment, merger and stock restructuring.

Sicher covers an area of 147,600 square meters, with overall floorage 170,000 square meters, owns manufacturing center, R&D center, customer service center, as well as an elevator testing tower with the running speed of up to 10.0 m/s, which is a large-scale and global market-oriented manufacturing enterprise for elevators, escalators and parking system equipment.

SRH Aufzüge GmbH, as a wholly owned subsidiary by Sicher Elevator Co., Ltd. builds the close strategic cooperation union with German large, medium-sized elevator manufacturing companies and elevator parts companies to provide all kinds of **SRH** brand products in line with EU Standards for global customers.

SRH, originates from German word "Sicher", which means safe, reliable, and reflects the core value of the brand about "only for safe reach" throughout and constantly in the complete process of product R&D, manufacturing, sales, installation and service.

Sicher implements the scientific and technological innovation development strategy and establishes several innovation platforms such as Provincial Enterprise Research Institute, Academicians and Experts Workstation, Post-doctor Scientific Research Workstation, Provincial Enterprise Technology Center, Provincial Industrial Design Center, Provincial High-tech Enterprise Research and Development Center, Sicher Elevator Center Laboratory, China Academy of Building Research-Sicher Elevator R&D Center, Zhejiang Sicher Elevator Science and Technology Research Institute. It owns 86 patents and won the honor of "The National Machinery Industry Outstanding Unit". Its quality management has passed the national military standard attestation. Elevator product was awarded US "Elevator World Project of the Year 2016" and moving walk product was awarded "China Records".

With perfect service network at home and abroad, Sicher has exported its products to over 40 countries and regions and has established a long-term strategic cooperative partnership with many renowned real estate development enterprises and won the honor of "National Excellent Supplier in Government Procurement". SRH has become a well respected elevator brand in Russia, Uzbekistan, Turkey, UAE, Oman, Kuwait, Iran, India, Bangladesh, Cambodia, South Africa, Egypt, Tanzania, Brazil and Ecuador, etc.

Sicher Elevator persists in the development strategy of "internationalization, technology, industrialization" and takes the innovation of service, technology and idea as its core to realize a new value eco of intelligent manufacturing, industrial service and international brand further to become a world excellent elevator solutions service provider.



柔和现代气息的设计与风格

Designing and styles mingled with modern atmosphere

GRE/GRM系列自动扶梯和自动人行道，引进德国成熟的自动扶梯和自动人行道技术，采用先进的微机控制系统，高强度的桁架结构、经典的驱动技术、完善的保护装置，使产品安全、可靠、耐用，乘坐平稳、安静、舒适；精致的工艺、流畅的线条、优雅的造型，使产品兼有乘坐的实用功能与视觉的装饰效果；变频驱动的选用，使产品省电节能，而室外型自动扶梯和自动人行道能经受各种气候环境条件考验。符合现行国家标准GB16899-2011《自动扶梯和自动人行道的制造与安装安全规范》和欧洲标准EN115，适用于商场、超市、宾馆、地铁、机场、车站、码头、立交桥、公共建筑等大客流量场所。

With incorporation of the well-developed escalator and moving walk technology, advanced micro-computer control system, high strength truss structure, classical drivingsystem, and completed safety devices, GRE/GRM series of escalators and moving walks fully ensure our products safe, reliable, enduring and bring steady and comfortable riding. Refine craftwork, fluent lines and elegant style form the combination of practical riding function and visual enjoyment. Frequency conversion technology selected makes Products more energy-saving. Besides outdoor escalator and moving walk can be fit for different kinds of environment and weather condition. Complying with national standard GB 16899-2011 and European standard EN115, the escalator and moving walk are applicable for heavy-passenger-flow location such as market, supermarket, hotel, subway, airport, train station, crossroad and public buildings.

先进的技术 Advanced technology

- 流线美观的不锈钢扶手系统，采用180°大圆弧扶手头部和经典黑色扶手入口，尽显西欧高贵的气质。
Streamlined handrail system in stainless steel reflects noble style of western Europe with its 180° arc end and black inlet.
- 先进的控制系统及驱动装置，优质的驱动链条，精湛的制造工艺，保证产品运行安全、可靠、平稳。
Advanced control system and driving device, superior driving chain, excellent workmanship assures the safe, reliable and stable operation.
- 多达21项安全保护功能，完全符合国家标准和欧洲标准。
The safety protection functions as many as 21 items fully comply with national and European standard.
- 自动润滑系统实时对各种传动部件润滑，大大提高产品使用寿命。
Automatic lubrication system lubricates all kinds of driving components, which prolongs products' operation life greatly.
- 变频驱动（可选）技术的应用，使得自动扶梯（人行道）成为节能的典范。通过位于扶梯出入口处的光电传感器实时检测人流量来实现自动运行，达到节能。
The application of VVVF drive (optional) makes escalator (moving walk) be a representation energy saving product. By checking the traffic flow timely by means of photo electrical sensor located at the entrance of escalator, achieving auto moving with great energy saved.
- 微机控制系统运算速度快、运行可靠性高，并设有故障代码显示，维修便捷。
Micro-computer controlled system performs with rapid calculation speed, high reliable moving, and also with failure code fixed, easy to be maintained.
- 驱动装置立式布置，维修空间大，操作安全方便。
Drive device arranged vertically assures enough space and convinience for maintenance.



GRE20自动扶梯 GRE20 Escalator

GRE20自动扶梯最大提升高度可达10米。
GRE20 escalator's maximum rise is up to 10 meters.

● 标准配置 Standard specification

应用 Application	室内、室外，每日可运行16小时 Indoor, outdoor, 16-hr operation daily		扶手高度(mm) Balustrade height	900
提升高度(m) Rise H	≤6	≤7.5	内外盖板 Inner & outer decking	发纹不锈钢 Hairline stainless steel
角度(°) Inclination	35	30	围裙板 Skirting	发纹不锈钢 Hairline stainless steel
梯级宽度(mm) Step width	600/800/1000		梯级 Step	不锈钢 Stainless steel
水平梯级 Horizontal steps	2/2	2/2 3/3*	楼层板 Landing plate	不锈钢(防滑型) Stainless steel (anti-sliding)
运行速度(m/s) Speed	0.5		照明 Illumination	梯级间隙照明 Lighting under upper & lower landing steps
主电源 Main power	380V 三相交流/50Hz 380V/50Hz/3P		显示 Indicator	控制柜故障显示 Failure code indicator on control cabinet
扶手类型 Balustrade	垂直玻璃栏板(10mm) Tempered glass(10mm)		操作方式 Operation	红色急停按钮 Emergency stop button
扶手支架 Handrail bracket	不锈钢 Stainless steel			上下行钥匙开关 Key switch
扶手带 Handrail	黑色 Black			检修运行 Inspection operation

*适用于提升高度大于6米。
*Only for H > 6m.



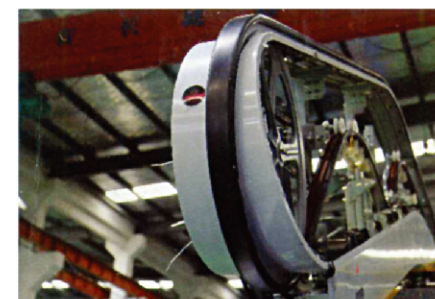
GRE30自动扶梯

GRE30 escalator

GRE30自动扶梯最大提升高度可达16米。
GRE30 escalator's maximum rise is up to 16 meters.

标准配置 Standard specification

应用 Application	室内、室外, 每日可运行16小时 Indoor, outdoor. 16-hr operation daily
提升高度(m) Rise H	≤16
角度(°) Inclination	30
梯级宽度(mm) Step width	600/800/1000
水平梯级 Horizontal steps	3/3
运行速度(m/s) Speed	0.5
主电源 Main power	380V 三相交流/50Hz 380V/50Hz/3P
扶手类型 Balustrade	垂直玻璃栏板(10mm) Tempered glass(10mm)
扶手支架 Handrail bracket	不锈钢 Stainless steel
扶手带 Handrail	黑色 Black
扶手高度(mm) Balustrade height	900
内外盖板 Inner & outer decking	发纹不锈钢 Hairline stainless steel
围裙板 Skirting	发纹不锈钢 Hairline stainless steel
梯级 Step	不锈钢 Stainless steel
楼层板 Landing plate	不锈钢(防滑型) Stainless steel (anti-sliding)
照明 Illumination	梯级间隙照明 Lighting under upper & lower landing steps
显示 Indicator	控制柜故障显示 Failure code indicator on control cabinet
操作方式 Operation	红色急停按钮 Emergency stop button 上下行钥匙开关 Key switch 检修运行 Inspection operation



GRE50公共交通型自动扶梯

GRE50 public transport escalator

GRE50公共交通型自动扶梯最大提升高度可达27米。
GRE50 public transport escalator's maximum rise is up to 27 meters.

标准配置 Standard specification

应用 Application	室内、室外, 每日可运行20小时 Indoor, outdoor. 20-hr operation daily	
提升高度(m) Rise H	≤6	≤30
角度(°) Inclination	35	30
梯级宽度(mm) Step width	600/800/1000	
水平梯级 Horizontal steps	2/2	2/2 3/3*
运行速度(m/s) Speed	0.5	
主电源 Main power	380V 三相交流/50Hz 380V/50Hz/3P	
扶手类型 Balustrade	不锈钢斜护壁、垂直玻璃栏板(10mm) Stainless steel inclined balustrade; Tempered glass(10mm)	
扶手支架 Handrail bracket	不锈钢 Stainless steel	
扶手带 Handrail	黑色 Black	
扶手高度(mm) Balustrade height	1000	
内外盖板 Inner & outer decking	发纹不锈钢 Hairline stainless steel	
围裙板 Skirting	发纹不锈钢 Hairline stainless steel	
梯级 Step	不锈钢 Stainless steel	
楼层板 Landing plate	不锈钢(防滑型) Stainless steel (anti-sliding)	
照明 Illumination	梯级间隙照明 Lighting under upper & lower landing steps	
显示 Indicator	控制柜故障显示 Failure code indicator on control cabinet	
操作方式 Operation	红色急停按钮 Emergency stop button 上下行钥匙开关 Key switch 检修运行 Inspection operation	



*适用于提升高度大于6米。
*Only for H > 6m.

GRM15自动人行道

GRM15 moving walk

GRM15自动人行道最大水平跨度可达150米。
GRM15 moving walk's maximum horizontal span is up to 150 meters.

● 标准配置 Standard specification

应用 Application	室内, 每日可运行16小时 Indoor, 16-hr operation daily
水平跨距(m) Horizontal span	≤150
角度(°) Inclination	0-6
踏板宽度(mm) Pallet width	800/1000
运行速度(m/s) Speed	0.5
主电源 Main power	380V三相交流/50Hz 380V/50Hz/3P
扶手类型 Balustrade	垂直玻璃栏杆(10mm) Tempered glass(10mm)
扶手支架 Handrail bracket	不锈钢 Stainless steel
扶手带 Handrail	黑色 Black
扶手高度(mm) Balustrade height	900
内外盖板 Inner & outer decking	发纹不锈钢 Hairline St.St.
围裙板 Skirting	发纹不锈钢 Hairline St.St.
踏板 Pallet	不锈钢 Stainless steel
楼层板 Landing plate	不锈钢(防滑型) Stainless steel (anti-sliding)
照明 Illumination	踏板间隙照明 Lighting under upper & lower landing pallets
显示 Indicator	控制柜故障显示 Failure code indicator on control cabinet
操作方式 Operation	红色急停按钮 Emergency stop button 上下行钥匙开关 Key switch 检修运行 Inspection operation



GRM20自动人行道

GRM20 moving walk

GRM20自动人行道倾斜角10°~12°。
GRM20 moving walk's tilt angle is 10°~12°.

● 标准配置 Standard specification

应用 Application	室内、室外, 每日可运行16小时 Indoor, outdoor, 16-hr operation daily
水平跨距(m) Horizontal span	≤50
角度(°) Inclination	10/11/12
踏板宽度(mm) Pallet width	800/1000
上水平距离(mm) Upper landing horizontal distance	400
运行速度(m/s) Speed	0.5
主电源 Main power	380V三相交流/50Hz 380V/50Hz/3P
扶手类型 Balustrade	垂直玻璃栏杆(10mm) Tempered glass(10mm)
扶手支架 Handrail bracket	不锈钢 Stainless steel
扶手带 Handrail	黑色 Black
扶手高度(mm) Balustrade height	900
内外盖板 Inner & outer decking	发纹不锈钢 Hairline stainless steel
围裙板 Skirting	发纹不锈钢 Hairline stainless steel
踏板 Pallet	不锈钢 Stainless steel
楼层板 Landing plate	不锈钢(防滑型) Stainless steel (anti-sliding)
照明 Illumination	踏板间隙照明 Lighting under upper & lower landing pallets
显示 Indicator	控制柜故障显示 Failure code indicator on control cabinet
操作方式 Operation	红色急停按钮 Emergency stop button 上下行钥匙开关 Key switch 检修运行 Inspection operation

可选配置 Optional specification

GRE20、GRE30、GRE50、GRM15、GRM20

扶手带 Handrail	绿色、红色、蓝色、黄色 Green, red, blue, yellow
扶手高度 Balustrade height	1000 (mm)
照明 Illumination	围裙照明 Skirting lighting
	梳齿板照明 Comb lighting
	扶手照明 Handrail lighting
显示 Indicator	外部故障显示 Indicator on outer decking
方向指示 Direction indicator	外部运行方向指示 Running direction indicator on outer decking
梯级或踏板 Step or pallets	整体铝铸件 One-piece aluminum
楼层板 Landing plate	铝型材 (防滑型) Aluminum alloy (anti-sliding)
节能控制 Energy control	变频控制 VVVF
外装潢 External cladding	发纹不锈钢/喷塑钢板/透明玻璃/镜面不锈钢 Hairline St.St. / Painted steel / Glass / Mirror st.st.
加热装置 Heating device	对整个梯路进行加热 To heat the escalator ladder road
速度 Speed	0.65 (m/s)*

*适用于GRE30、GRE50。
*Only for GRE30、GRE50.

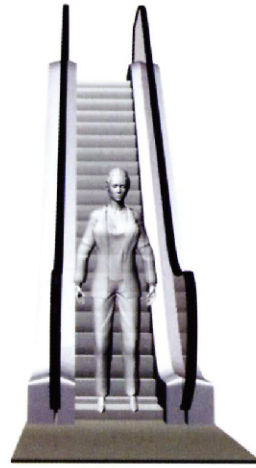
安全装置 Safety devices

1	梯级 (踏板) 防静电 Static electricity protection of step (pallet)	消除梯级 (踏板) 在运行时产生的静电。 Eliminate static electricity raised from running of the steps (pallets).	标配 standard
2	扶手带防静电 Static electricity protection of handrail	消除扶手带在运行时产生的静电。 Eliminate static electricity raised from running of the handrail.	标配 standard
3	紧急停止 Emergency stop button on entrance	操作上下进出口处急停按钮, 可使扶梯 (人行道) 停止运行。 Push the emergency stop button to stop the escalator (moving walk) against emergency raise.	标配 standard
4	扶手入口保护 Handrail entry safety protection	当扶手入口有异物夹住时起保护作用。 Protection against risk of the sundries being jammed into handrail entry.	标配 standard
5	超速保护 Over speed protection	当运行速度超过额定速度的20%时起保护作用。 Protection against risk of speed being over 20% of rated speed.	标配 standard
6	欠速保护 Under speed protection	当运行速度低于额定速度的20%时起保护作用。 Protection against risk of speed being less than 20% of rated speed.	标配 standard

7	非操纵逆转保护 Unintentional reversal protection	当梯级 (踏板) 和扶手带的运行方向与指定方向相反时起保护作用。 Protection against risk of unintentional reversal of the direction of travel.	标配 standard
8	断、错相保护 Phase failure protection	当动力电源缺相或错相时起保护作用。 Protection against risk of phase failure.	标配 standard
9	短路保护 Short circuit protection	当电力回路短路时起保护作用。 Protection against risk of short circuit.	标配 standard
10	过载保护 Over-load protection	当电机持续过载时起保护作用。 Protection against risk of motor continually over load.	标配 standard
11	梯级 (踏板) 缺失保护 Step (pallet) loss protection	监控梯级 (踏板), 缺失时停止运行。 It stops when it monitors the step (pallet) loss.	标配 standard
12	梯级 (踏板) 下陷保护 Step(pallet)sagging protection	当梯级 (踏板) 损坏而下陷时起保护作用。 Protection against risk of steps (pallets) being breakage and sagging.	标配 standard
13	梯级 (踏板) 链保护 Step(pallet)chains safety protection	当梯级 (踏板) 链断裂或过长时起保护作用。 Protection against risk of step (pallets) chains being breakage of undue elongation.	标配 standard
14	梳齿保护 Comb safety guard	当异物夹入梳齿时起保护作用。 Protection against risk of the sundries being trapped at the comb.	标配 standard
15	检修插座 Inspection socket	提供安全电压用于检修或维护。 To provide voltage to inspect or maintain.	标配 standard
16	机房护板 Machine room guard	将机房与梯级 (踏板) 等运动部件隔离, 提供检修或维护的安全空间。 One safety plate separates machine room from movable parts such as step to protect service personnel.	标配 standard
17	急停保护 Emergency stop button on control cabinet	检修保养时, 当发生危险或存在危险可能时, 按下急停按钮, 保护人和设备。 Push the emergency stop button to stop the escalator (moving walk) against emergency raise when inspection and maintaining.	标配 standard
18	扶手带测速保护 Handrail speed-detection protection	当扶手带速度低于梯级 (踏板) 速度15%且15S停止运行。 When handrail speed is 15% lower than the step (pallet) speed, it stops in 15 seconds.	标配 standard
19	制停超距保护 Brake over-distance protection	当梯级 (踏板) 制停距离大于规定距离的1.2倍时, 防止启动。 When the step (pallets) brake distance is 1.2 times larger than the stipulated distance, it prevents it from start again.	标配 standard
20	围裙保护 Skirting guard	当异物夹入梯级 (踏板) 和围裙之间的缝隙时起保护作用。 Protection against risk of foreign objects being jammed into clearance between steps(pallets) and skirting.	标配 standard
21	楼层防开启保护 Floor anti-start protection	当楼层板移去或打开, 停止运行。 It stops when the floor plate is removed or opened.	标配 standard
22	驱动链保护 Main drive chains safety protection	当驱动链断裂或过长时起保护作用。 Protection against risk of drive chains being breakage or undue elongation.	标配 standard
23	围裙毛刷 Skirting brush	防止乘梯人员或异物被卷入围裙板和梯级 (踏板) 之间。 Brushes on skirting to enhance the passenger's safety.	标配 standard
24	主机制动器检测 Host brake detection	检测主机制动器释放状态, 防止其未释放时启动。 When it detects the release condition of the host brake, it prevents it from start before its release.	标配 standard
25	防爬装置 Anti-crawl device	防止人员爬上扶手装置外侧。 It prevents the passengers from crawling to external handrail.	选配 Optional
26	防滑行装置 Anti-skid device	装有接近扶手高度的外盖板时, 防止人员意外爬上后下滑坠落。 It installs outer cover plate which is closed to handrail height. It prevents the passengers from accidental crawl, skid, fall.	选配 Optional
27	阻挡装置 Arrester	防止人员进入墙与扶手之间或两台扶梯 (人行道) 之间的区域。 It prevents the passengers from entering into the area between wall and handrail, between two escalators (moving walks).	选配 Optional
28	防护板 Protection baffle	在扶手带外缘与任何障碍物交叉处设置的防护挡板。 Protection baffle is set in the crossing of outer handrail edge and any obstacle.	选配 Optional
29	辅助制动 Auxiliary brake	当超速1.4倍或梯级 (踏板) 和扶手带运行方向与指定方向相反时, 辅助制动器制停扶梯 (人行道)。 When it exceeds 1.4 times of the speed; the step (pallets) and handrail running direction is opposite to the indicated direction, auxiliary brake stops the escalator (moving walk).	选配* Optional

*提升高度H > 6m时为标配。
*Standard: H > 6m.

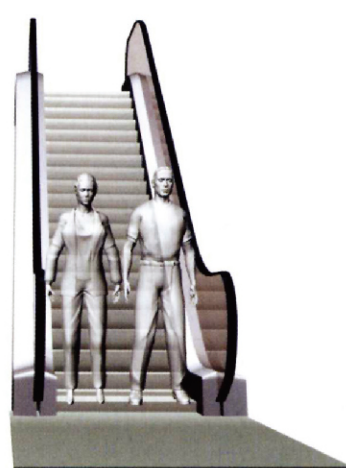
安装布置形式 Arrangement



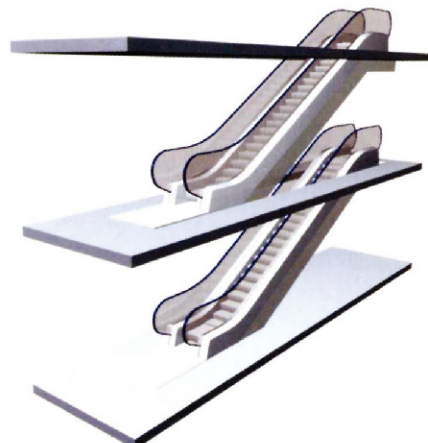
● 梯级宽度
Step width 600mm



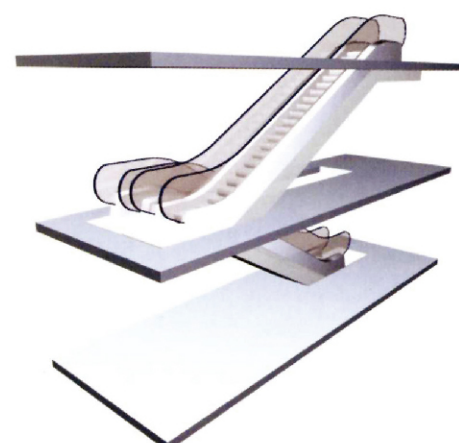
● 梯级宽度
Step width 800mm



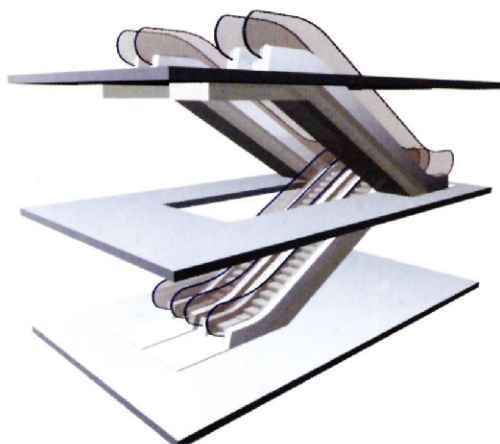
● 梯级宽度
Step width 1000mm



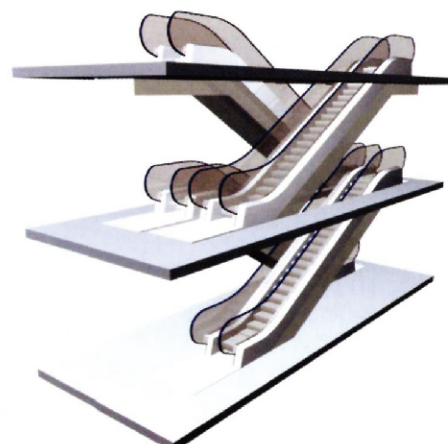
● 单排列
Single



● 连续排列
Continuous



● 平行连续排列
Parallel

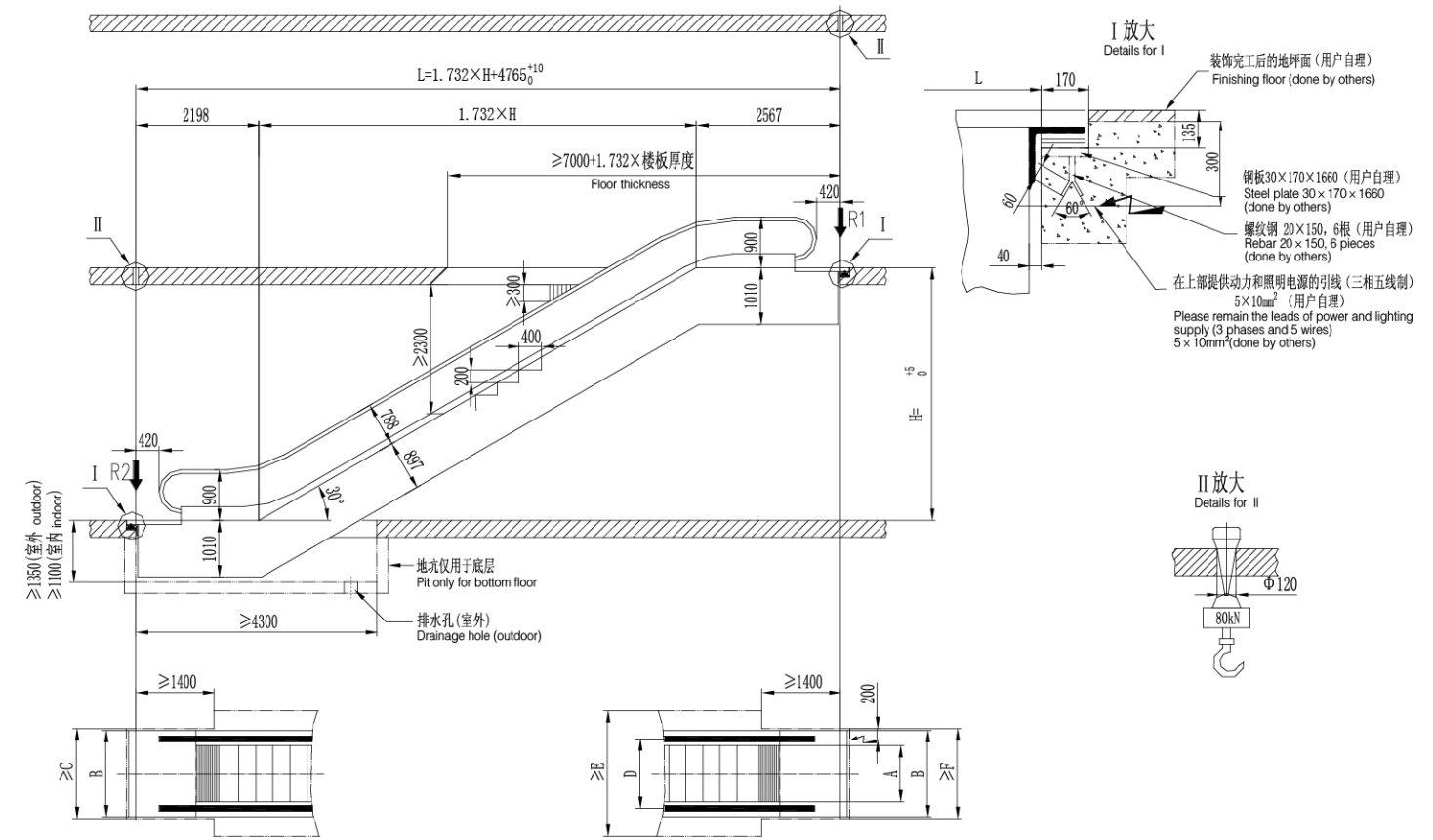


● 十字交叉排列
Criss-cross

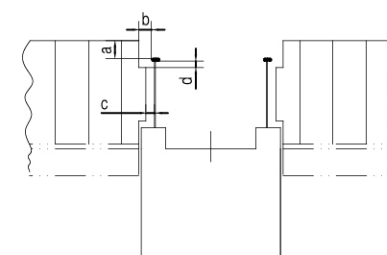
GRE20自动扶梯土建示意图(室内型、室外型)

GRE20 escalator construction sketch (Indoor type and outdoor type)

30°



出入口阻挡装置详图
Details for entrance block device



出入口阻挡装置(客户自理)
Entrance block device (done by others)

出入口阻挡装置(客户自理)
Entrance block device (done by others)

a	b	c	d
≥ 100	80~120	≤ 120	25~100

支反力及功率
Reaction force & power

梯级宽度 Step width	600	800	1000	备注 Remark
R1 (kN)	$3.5 \times L + 15.5$	$4 \times L + 17$	$4.5 \times L + 18.5$	L单位为m L measured by m
R2 (kN)	$3.5 \times L + 10$	$4 \times L + 11$	$4.5 \times L + 11.5$	L单位为m L measured by m
提升高度 Rise	3000 3500 4000 4500 5000 5500 6000			
电机功率 Motor power	1000 5.5kW	8kW	11kW	
功率 Power	800 5.5kW		8kW	
功率 Power	600	5.5kW		

标准规格及尺寸
Standard specification and size

梯级宽度 Escalator external width	A	600	800	1000
装饰宽度 Escalator external width	B	1150	1350	1550
土建开口宽度 Civil opening width	C	1260	1460	1660
扶手间距 Distance between handrail centers	D	838	1038	1238
土建开口宽度 Civil opening width	E	1838	2038	2238
土建开口宽度 Civil opening width	F	1260	1460	1660

说明 Note

- 本图适用于 $H \leq 6\text{m}$ 及以下单台安装扶梯的土建施工之用。
The sketch applies to civil construction of a single arrangement escalator with $H \leq 6\text{m}$ and below.
- 选用梯级宽度600mm, 桁架上部必须延长417mm。
Upper end of truss should be extended for 417mm once step width 600mm chosen.
- 尺寸单位为mm, 个别尺寸可能有更改, 如有更改, 恕不另行通知。
Size measured by mm, some sizes may be changed. Subject to change without notice.

规格 Specification

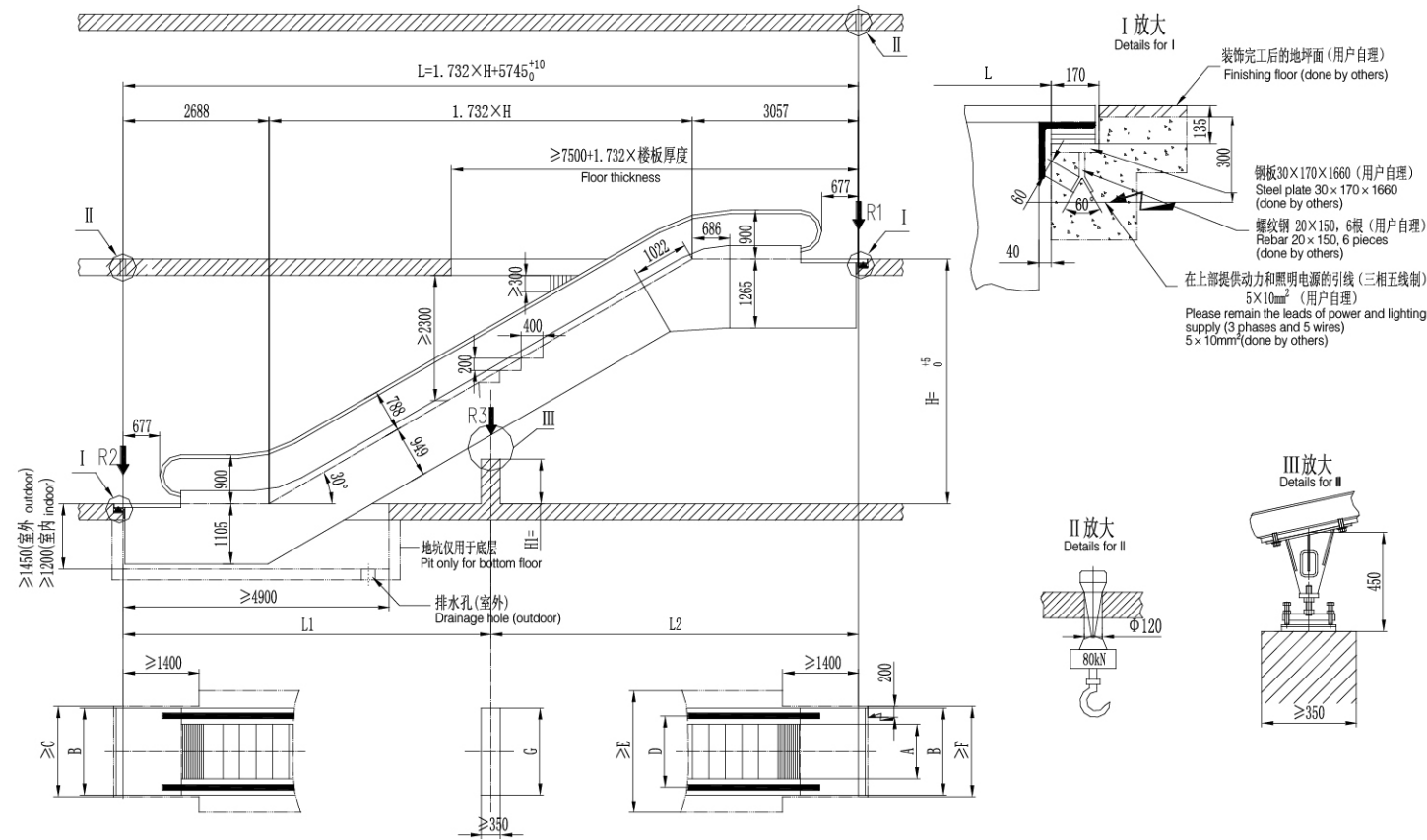
型号 Type	GRE20
运行速度 Speed	0.5m/s
提升高度 Rise	$H = \text{mm}$
倾斜角 Inclination	30°
支承力R1 Supporting force	kN
支承力R2 Supporting force	kN
动力 Power supply	三相交流电 380V 50HZ 3P AC
照明 Lighting supply	单相交流电 220V 50HZ 1P AC

GRE20自动扶梯土建示意图(室内型、室外型)

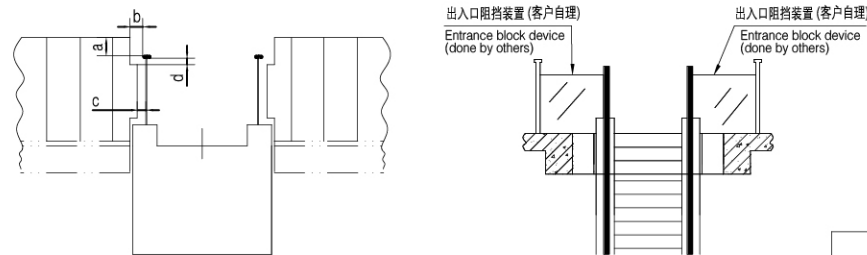
GRE20 escalator construction sketch

(Indoor type and outdoor type)

30°



出入口阻挡装置详图
Details for entrance block device



支反力及功率
Reaction force & power

梯级宽度 Step width	600	800	1000
R1 (kN)	4.1×L+15.5	4.5×L+16.1	5×L+18.5
R2 (kN)	4.1×L+7.8	4.5×L+7.8	5×L+8.5
R3 (kN)	4.25×L+9.5	4.5×L+10.5	5.2×L+11.5
备注 Remark	L、L1、L2单位为m, L1、L2都不超过15m. L, L1, L2 measured by M, Value of L1 & L2 less than 15m.		
提升高度 Rise	6100	7100	7500
电机功率 Motor Power	1000	8kW	11kW
800		15kW	
600		11kW	

标准规格及尺寸
Standard specification and size

梯级宽度 Escalator external width	A	600	800	1000
装饰宽度 Escalator external width	B	1150	1350	1550
土建开口宽度 Civil opening width	C	1260	1460	1660
扶手间距 Distance between handrail centers	D	838	1038	1238
土建开口宽度 Civil opening width	E	1910	2110	2310
土建开口宽度 Civil opening width	F	1260	1460	1660
支承座长度 Support base length	G	1200	1400	1600

说明 Note

- 图适用于6m < H ≤ 7.5m及以下单台安装扶梯的土建施工之用。The sketch applies to civil construction of a single arrangement escalator with 6m < H ≤ 7.5m and below.
- 选用梯级宽度600mm, 桁架上部必须延长417mm; 选用双驱动, 桁架上部也必须延长417mm。Upper end of truss should be extended for 417mm once step width 600mm chosen.
- 尺寸单位为mm, 个别尺寸可能有更改, 如有更改, 恕不另行通知。Size measured by mm, some sizes may be changed. Subject to change without notice.

规格 Specification

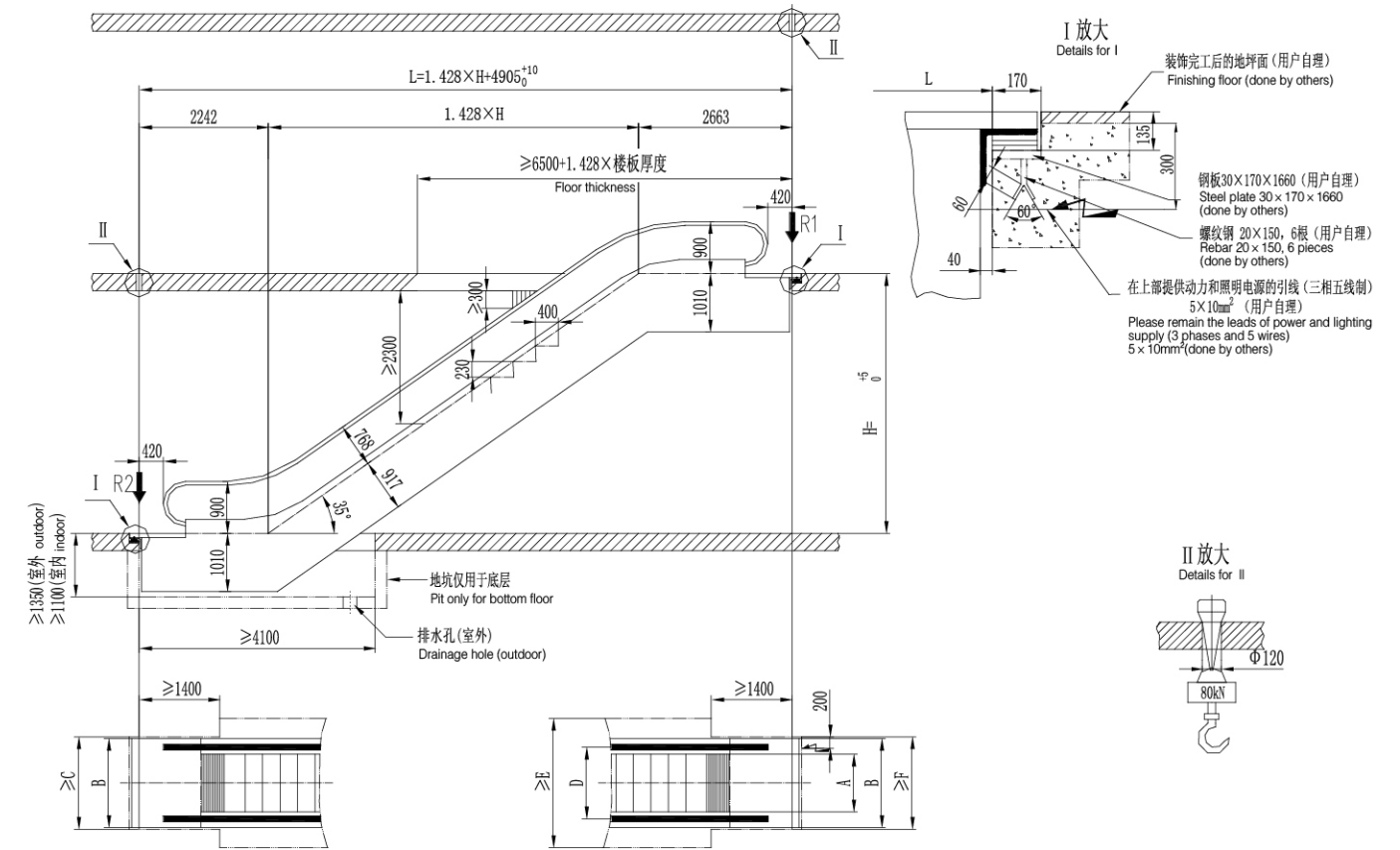
型号 Type	GRE20
运行速度 Speed	0.5m/s
提升高度 Rise	H = mm
倾斜角 Inclination	30°
支承力R1 Supporting force	kN
支承力R2 Supporting force	kN
支承力R3 Supporting force	kN
电源 Power supply	三相交流电 380V 50HZ 3P AC
照明 Lighting supply	单相交流电 220V 50HZ 1P AC

GRE20自动扶梯土建示意图(室内型、室外型)

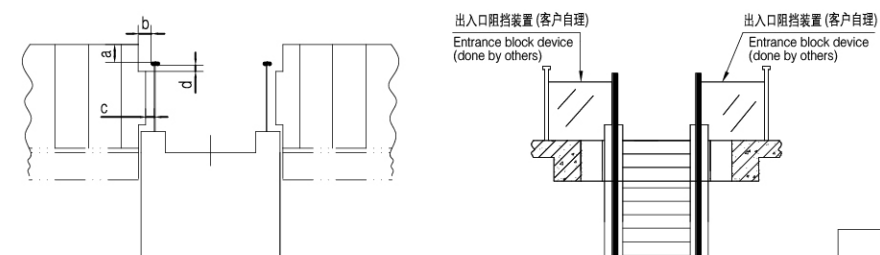
GRE20 escalator construction sketch

(Indoor type and outdoor type)

35°



出入口阻挡装置详图
Details for entrance block device



支反力及功率
Reaction force & power

梯级宽度 Step width	600	800	1000	备注 Remark			
R1 (kN)	3.5×L+15.5	4×L+17	4.5×L+18.5	L单位为m L measured by M			
R2 (kN)	3.5×L+10	4×L+11	4.5×L+11.5				
提升高度 Rise	3000	3500	4000	4500	5000	5500	6000
电机功率 Motor Power	1000	5.5kW	8kW	11kW			
800		5.5kW	8kW				
600		5.5kW					

标准规格及尺寸
Standard specification and size

梯级宽度 Escalator external width	A	600	800	1000
装饰宽度 Escalator external width	B	1150	1350	1550
土建开口宽度 Civil opening width	C	1260	1460	1660
扶手间距 Distance between handrail centers	D	838	1038	1238
土建开口宽度 Civil opening width	E	1838	2038	2238
土建开口宽度 Civil opening width	F	1260	1460	1660

说明 Note

- 本图适用于H ≤ 6m及以下单台安装扶梯的土建施工之用。The sketch applies to civil construction of a single arrangement escalator with H ≤ 6m and below.
- 选用梯级宽度600mm, 桁架上部必须延长417mm。Upper end of truss should be extended for 417mm once step width 600mm chosen.
- 尺寸单位为mm, 个别尺寸可能有更改, 如有更改, 恕不另行通知。Size measured by mm, some sizes may be changed. Subject to change without notice.

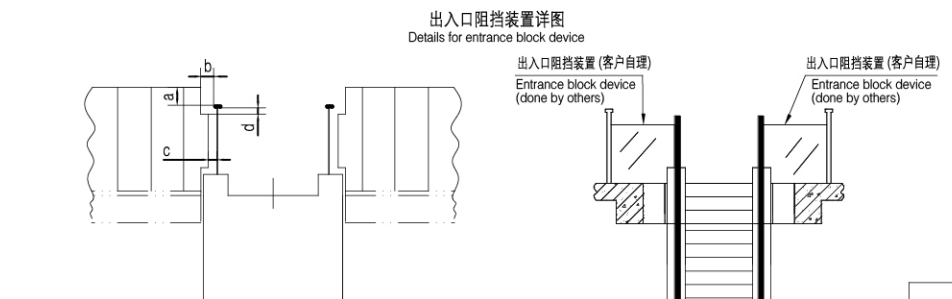
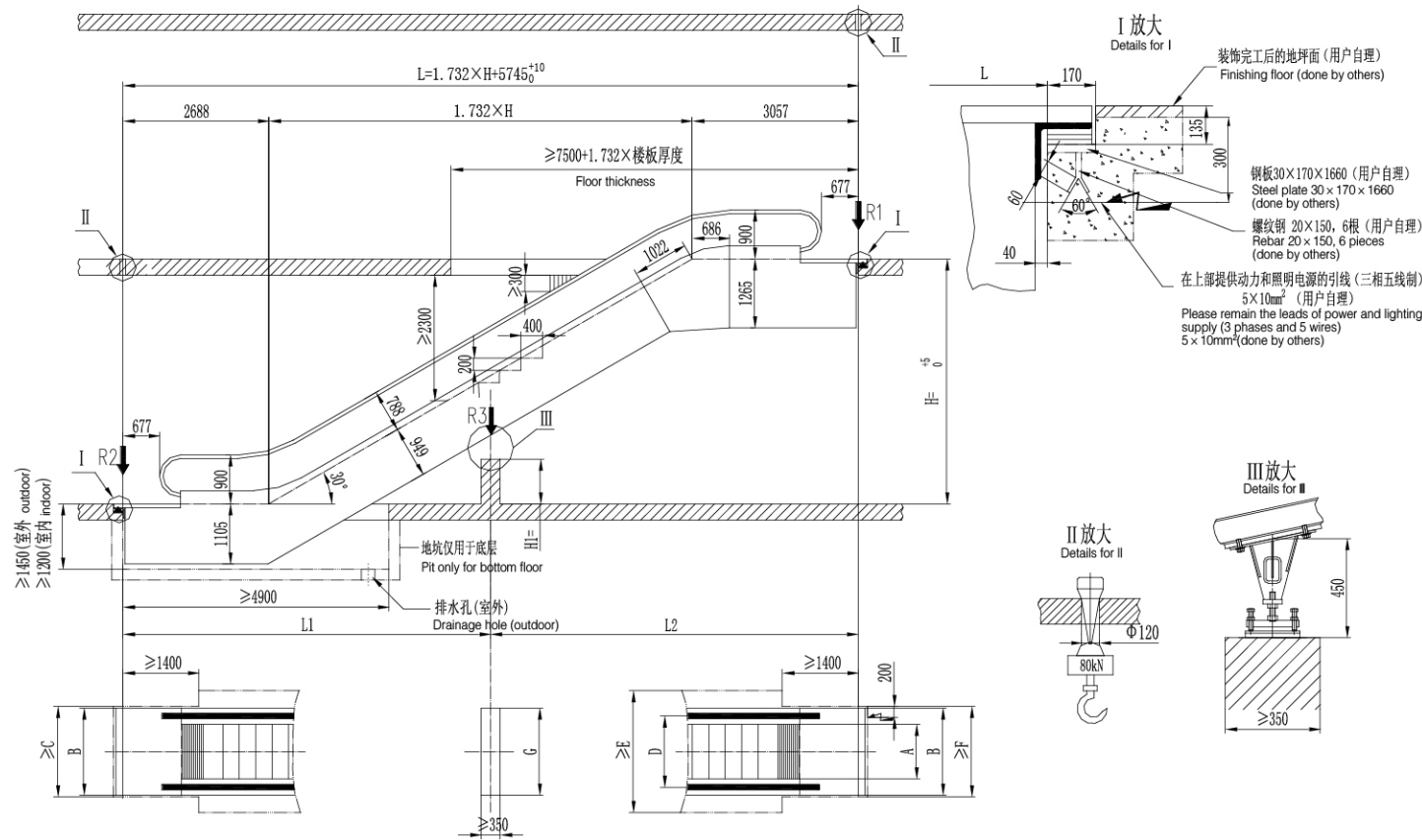
规格 Specification

型号 Type	GRE20
运行速度 Speed	0.5m/s
提升高度 Rise	H = mm
倾斜角 Inclination	35°
支承力R1 Supporting force	kN
支承力R2 Supporting force	kN
电源 Power supply	三相交流电 380V 50HZ 3P AC
照明 Lighting supply	单相交流电 220V 50HZ 1P AC

GRE30自动扶梯土建示意图(室内型、室外型)

GRE30 escalator construction sketch
(Indoor type and outdoor type)

30°



a	b	c	d
≥ 100	80~120	≤ 120	25~100

说明 Note		规格 Specification	
1. 图适用于H≤16m及以下单台安装扶梯的土建施工之用。 The sketch applies to civil construction of a single arrangement escalator with H≤16m and below.		型号 Type	GRE30
2. 选用梯级宽度600mm, 桁架上部必须延长417mm; 选用双驱动, 桁架上部也必须延长417mm。 Upper end of truss should be extended for 417mm once step width 600mm chosen.		运行速度 Speed	0.5m/s (0.65m/s)
3. 尺寸单位为mm, 个别尺寸可能有更改, 如有更改, 恕不另行通知。 Size measured by mm, some sizes may be changed. Subject to change without notice.		提升高度 Rise	H = mm
		倾斜角 Inclination	30°
		支承载力R1 Supporting force	kN
		支承载力R2 Supporting force	kN
		支承载力R3 Supporting force	kN
		电源 Power supply	三相交流电 380V 50HZ 3P AC
		照明 Lighting supply	单相交流电 220V 50HZ 1P AC

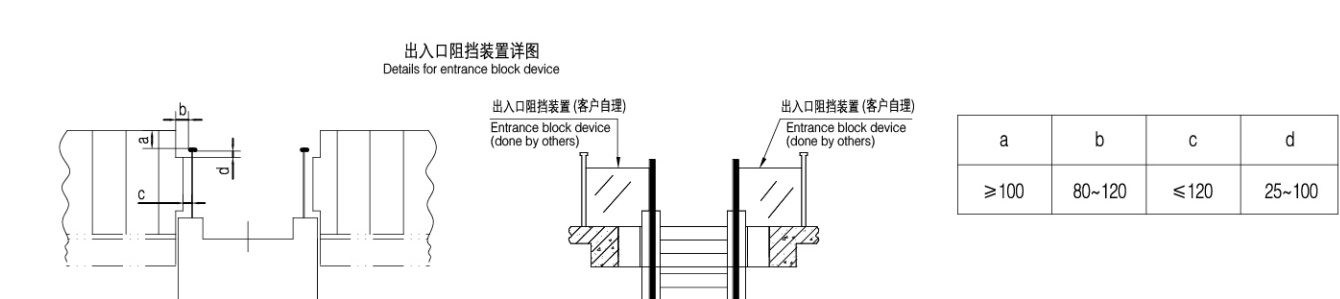
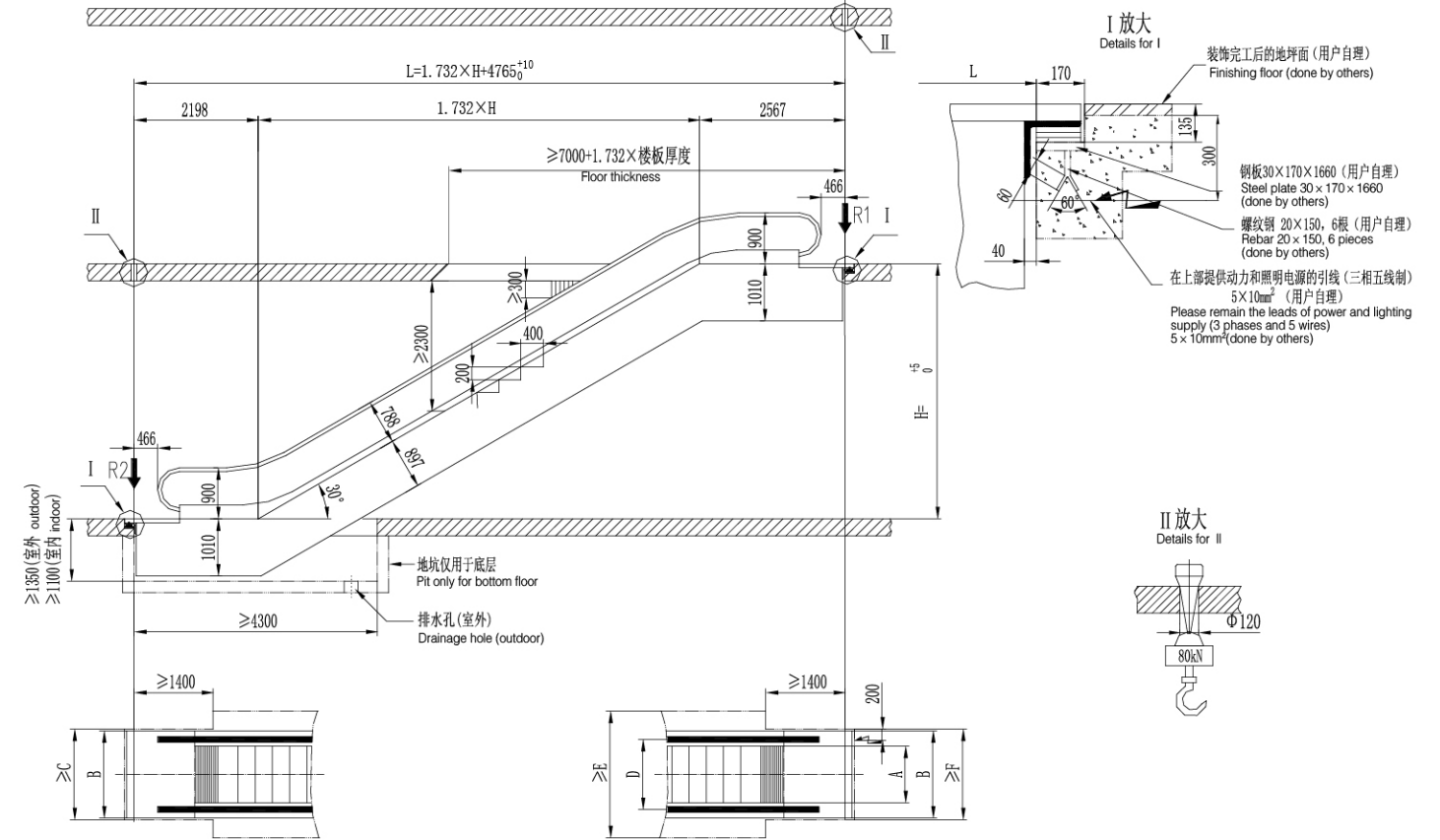
梯级宽度 Step width	600	800	1000
R1 (kN)	4.1×L2+16.5	4.5×L2+17.1	5×L2+18.5
R2 (kN)	4.1×L1+8.8	4.5×L1+8.8	5×L1+9.5
R3 (kN)	4.25×L+10.5	4.5×L+11.5	5.2×L+12.5

梯级宽度 Escalator external width	A	600	800	1000
装饰宽度 Escalator external width	B	1200	1400	1600
土建开口宽度 Civil opening width	C	1260	1460	1660
扶手间距 Distance between handrail centers	D	838	1038	1238
土建开口宽度 Civil opening width	E	1910	2110	2310
土建开口宽度 Civil opening width	F	1260	1460	1660
支承座长度 Support base length	G	1200	1400	1600

GRE50公共交通型自动扶梯土建示意图(室内型、室外型)

GRE50 public transport escalator construction sketch
(Indoor type and outdoor type)

30°



a	b	c	d
≥ 100	80~120	≤ 120	25~100

说明 Note		规格 Specification	
1. 本图适用于H≤6m及以下单台安装扶梯的土建施工之用。 The sketch applies to civil construction of a single arrangement escalator with H≤6m and below.		型号 Type	GRE50
2. 选用梯级宽度600mm, 桁架上部必须延长417mm。 Upper end of truss should be extended for 417mm once step width 600mm chosen.		运行速度 Speed	0.5m/s
3. 尺寸单位为mm, 个别尺寸可能有更改, 如有更改, 恕不另行通知。 Size measured by mm, some sizes may be changed. Subject to change without notice.		提升高度 Rise	H = mm
		倾斜角 Inclination	30°
		支承载力R1 Supporting force	kN
		支承载力R2 Supporting force	kN
		支承载力R3 Supporting force	kN
		电源 Power supply	三相交流电 380V 50HZ 3P AC
		照明 Lighting supply	单相交流电 220V 50HZ 1P AC

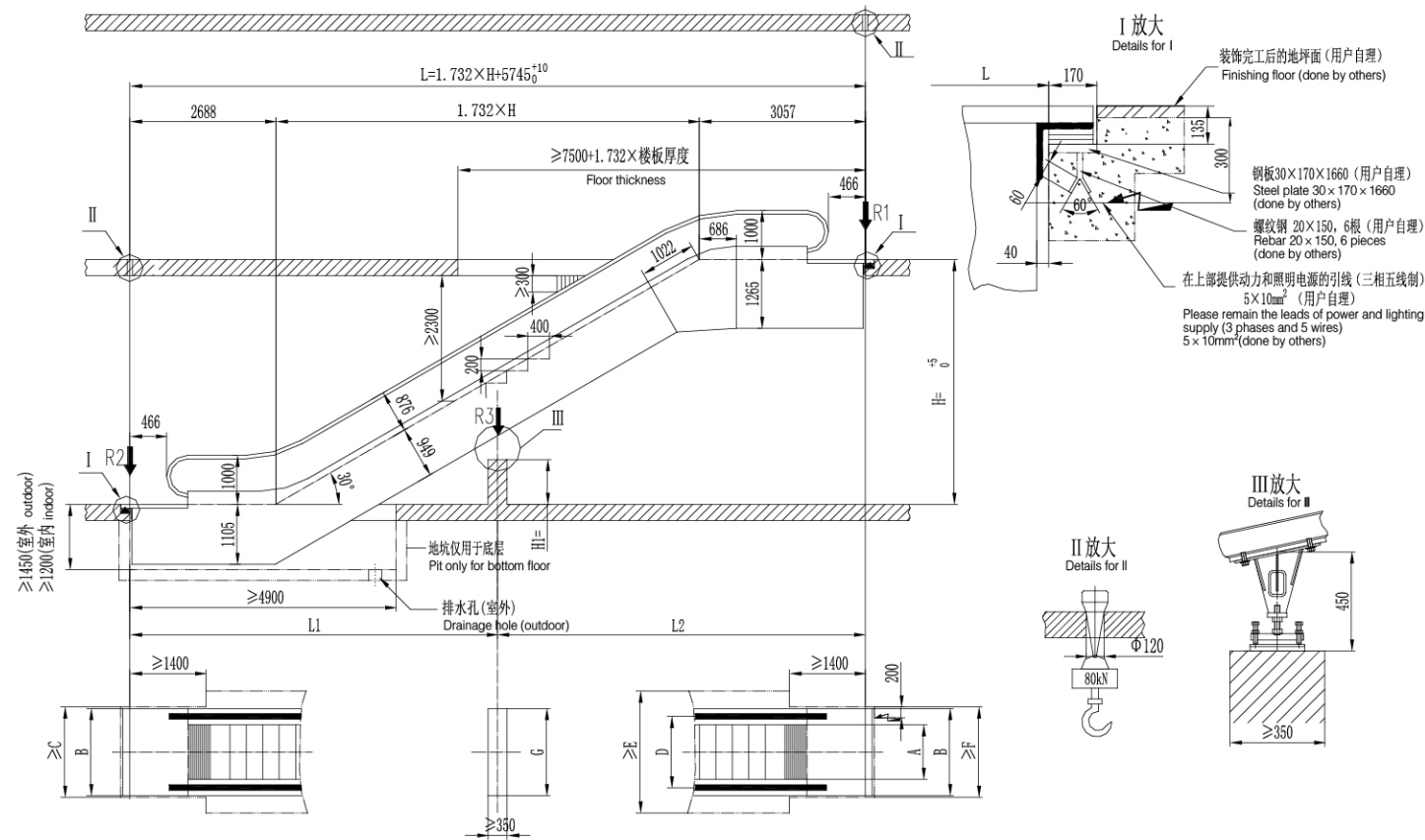
梯级宽度 Step width	600	800	1000	备注 Remark
R1 (kN)	3.5×L+16.5	4×L+18	4.5×L+19.5	L单位为m 单位由M
R2 (kN)	3.5×L+11	4×L+12	4.5×L+12.5	
提升高度 Rise	3000	3500	4000	4500
电功率 Motor power	1000	5.5kW	8kW	11kW
	800	5.5kW	8kW	
	600	5.5kW		

梯级宽度 Escalator external width	A	600	800	1000
装饰宽度 Escalator external width	B	1200	1400	1600
土建开口宽度 Civil opening width	C	1260	1460	1660
扶手间距 Distance between handrail centers	D	838	1038	1238
土建开口宽度 Civil opening width	E	1838	2038	2238
土建开口宽度 Civil opening width	F	1260	1460	1660

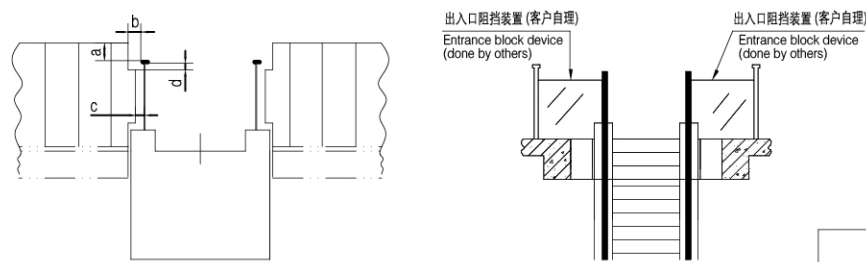
GRE50公共交通型自动扶梯土建示意图(室内型、室外型)

GRE50 public transport escalator construction sketch

(Indoor type and outdoor type) 30°



出入口阻挡装置详图
Details for entrance block device



a	b	c	d
≥100	80~120	≤120	25~100

标准规格及尺寸
Standard specification and size

梯级宽度 Escalator external width	A	600	800	1000
装饰宽度 Escalator external width	B	1200	1400	1600
土建开口宽度 Civil opening width	C	1260	1460	1660
扶手间距 Distance between handrail centers	D	838	1038	1238
土建开口宽度 Civil opening width	E	1910	2110	2310
土建开口宽度 Civil opening width	F	1260	1460	1660
支承座长度 Support base length	G	1200	1400	1600

支反力
Reaction force

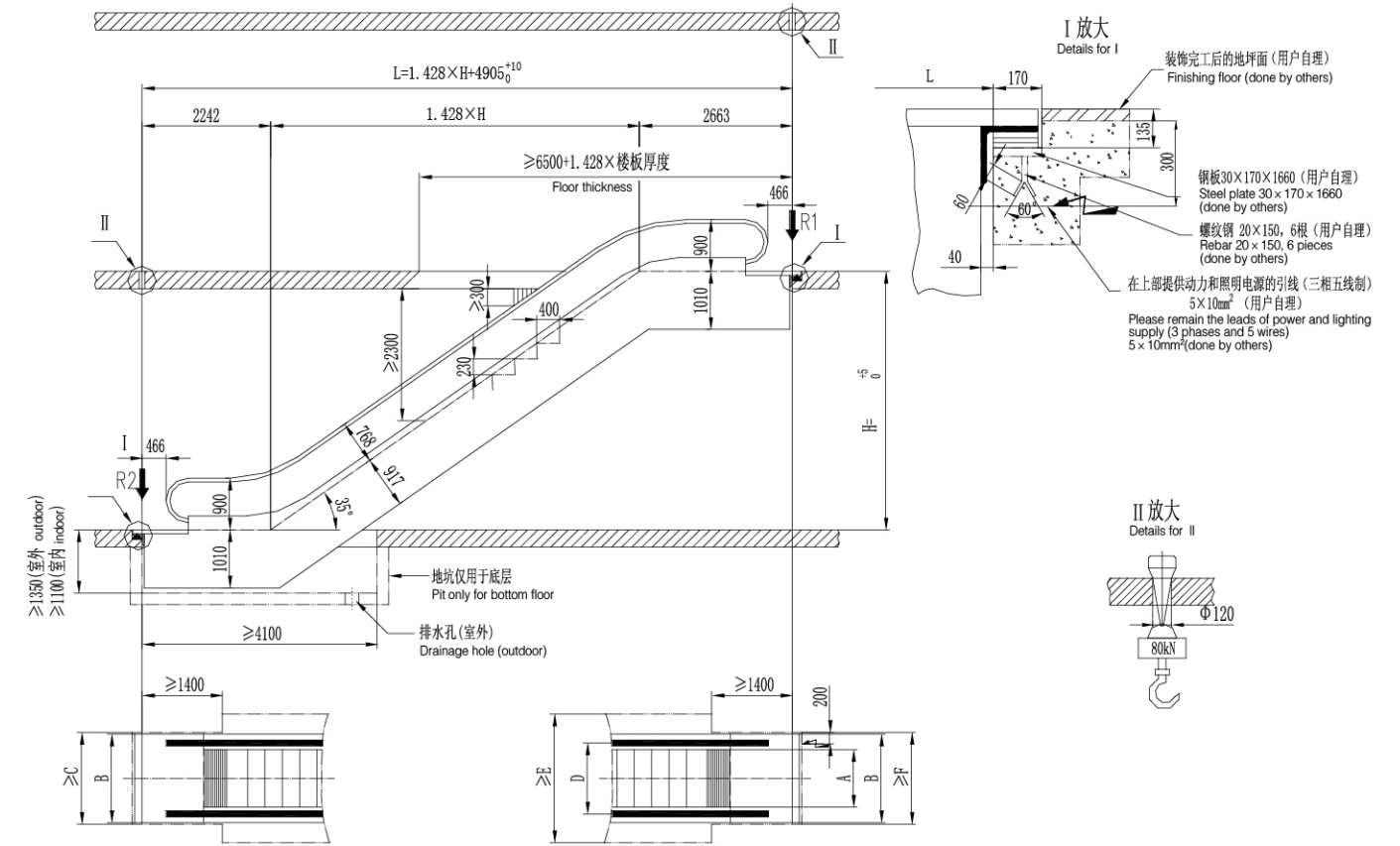
梯级宽度 Step width	600	800	1000
R1 (kN)	4.1×L2+16.5	4.5×L2+17.1	5×L2+18.5
R2 (kN)	4.1×L1+8.8	4.5×L1+8.8	5×L1+9.5
R3 (kN)	4.25×L+10.5	4.5×L+11.5	5.2×L+12.5
备注 Remark	L, L1, L2单位为m, L1, L2都不超过15m L, L1, L2 measured by M, Value of L1 & L2 less than 15m.		

说明 Note		规格 Specification	
1. 图适用于6m < H ≤ 30m及以下单台安装扶梯的土建施工之用。 The sketch applies to civil construction of a single arrangement escalator with 6m < H ≤ 30m and below.		型号 Type	GRE50
2. 选用梯级宽度600mm, 桁架上部必须延长417mm; 选用双驱动, 桁架上部也必须延长417mm。 Upper end of truss should be extended for 417mm once step width 600mm chosen.		运行速度 Speed	0.5m/s (0.65m/s)
3. 尺寸单位为mm, 个别尺寸可能有更改, 如有更改, 恕不另行通知。 Size measured by mm, some sizes may be changed. Subject to change without notice.		提升高度 Rise	H = mm
		倾斜角 Inclination	30°
		支承力R1 Supporting force	kN
		支承力R2 Supporting force	kN
		支承力R3 Supporting force	kN
		动力 Power supply	三相交流电 380V 50HZ 3P AC
		照明 Lighting supply	单相交流电 220V 50HZ 1P AC

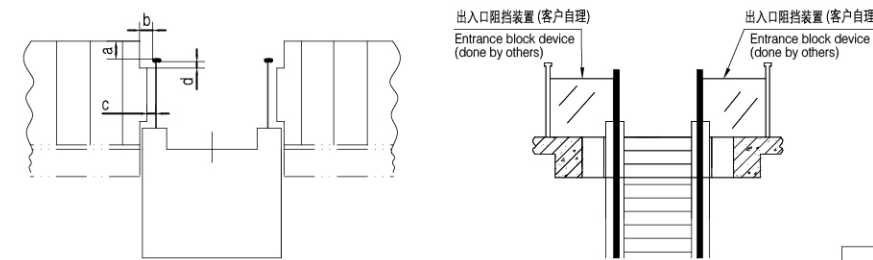
GRE50公共交通型自动扶梯土建示意图(室内型、室外型)

GRE50 public transport escalator construction sketch

(Indoor type and outdoor type) 35°



出入口阻挡装置详图
Details for entrance block device



a	b	c	d
≥100	80~120	≤120	25~100

标准规格及尺寸
Standard specification and size

梯级宽度 Escalator external width	A	600	800	1000
装饰宽度 Escalator external width	B	1200	1400	1600
土建开口宽度 Civil opening width	C	1260	1460	1660
扶手间距 Distance between handrail centers	D	838	1038	1238
土建开口宽度 Civil opening width	E	1838	2038	2238
土建开口宽度 Civil opening width	F	1260	1460	1660

支反力及功率
Reaction force & power

梯级宽度 Step width	600	800	1000	备注 Remark			
R1 (kN)	3.5×L+16.5	4×L+18	4.5×L+19.5	L单位为m L measured by M			
R2 (kN)	3.5×L+11	4×L+12	4.5×L+12.5				
提升高度 Rise	3000	3500	4000	4500	5000	5500	6000
电机功率 Motor power	1000	5.5kW	8kW	11kW			
	800	5.5kW	8kW				
	600		5.5kW				

说明 Note		规格 Specification	
1. 本图适用于H ≤ 6m及以下单台安装扶梯的土建施工之用。 The sketch applies to civil construction of a single arrangement escalator with H ≤ 6m and below.		型号 Type	GRE50
2. 选用梯级宽度600mm, 桁架上部必须延长417mm。 Upper end of truss should be extended for 417mm once step width 600mm chosen.		运行速度 Speed	0.5m/s
3. 尺寸单位为mm, 个别尺寸可能有更改, 如有更改, 恕不另行通知。 Size measured by mm, some sizes may be changed. Subject to change without notice.		提升高度 Rise	H = mm
		倾斜角 Inclination	35°
		支承力R1 Supporting force	kN
		支承力R2 Supporting force	kN
		动力 Power supply	三相交流电 380V 50HZ 3P AC
		照明 Lighting supply	单相交流电 220V 50HZ 1P AC

